

## GPH084N Adjustable Inset Door Pivot Hinge

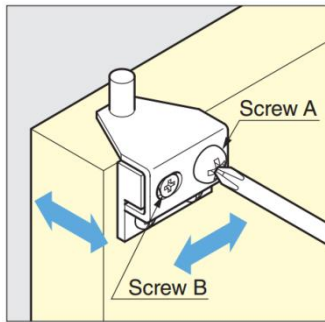
### Features

- Adjustable both horizontally (2 mm) and vertically (2 mm)

### Notes

- 2 pcs required for 1 door

### How to Adjust

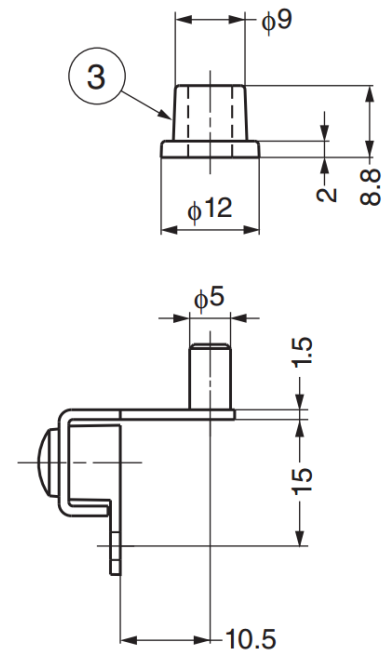
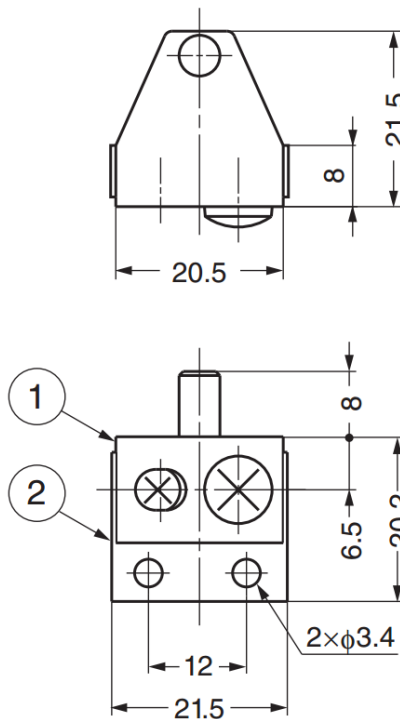
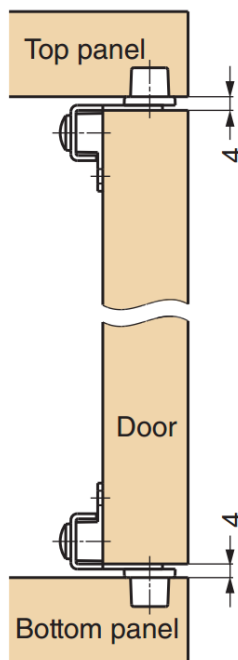


After loosening screw A, adjust by screwing B in the direction of the arrows.

Tighten screw A at final position.



No.	Part Name	Material	Finish/Colour
①	Body	Steel	Nickel
②	Hinge Plate	Zinc Alloy (ZDC)	Plain
③	Support	Polyamide (PA)	Black



Part No.	Door Width	Door Height	Door Thickness	Door Weight
GPH084N	Max. 300	Max. 700	15 ~ 19	Max. 2 kg / set